

# H0 series

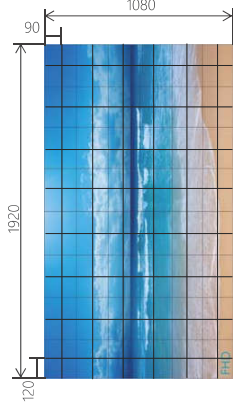
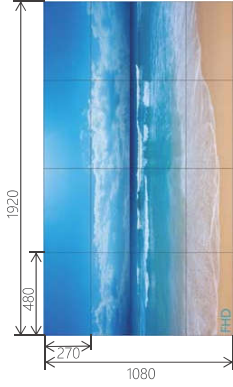


The T1.6 is Yaham's new high definition display system created based upon small pixel spacing and Surface Mounting Diode technology, by integrating computer system, multi-display processing, signal switching and internet technologies, it providing dynamic monitoring over different situations, analyzing, processing and display signal inputs from computer, camera and web. With the introduction of the T1.6 video wall, Yaham has further expand our HD display line up to meet the increased demand from the market and enhance our ability to deliver tailor-made and diversified customer applications.

## Product characteristics

### Cabinet dimension and bring the visual experience

With a cabinet ratio 16 : 9, the display is bespoke in size, flexible in installation and compatible with all the prevailing video formats, making it easier to create FHD, 2K, 4K and 8K video wall.



### High contrast ratio and refresh rate, fast response, enabling it to display any HD display smoothly.



### Low radiation zero noise

Meeting electromagnetic interference test standards of EMC Class B, this 1.6mm display also features low radiation and resistant to dust and electromagnetic interference.

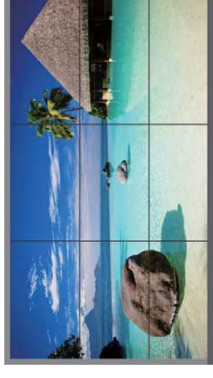
## PRODUCT ADVANTAGE

### Seamless appearance, uninterrupted visual experience

Cabinets are aligned without any gap, assuring complete and uninterrupted visual experience.



YAHAM



DLP, LCD

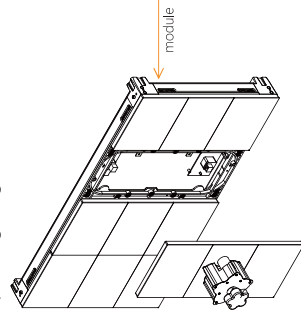
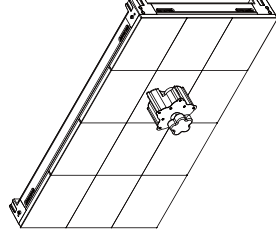
### Low brightness and high gray level, meeting different indoor display standards

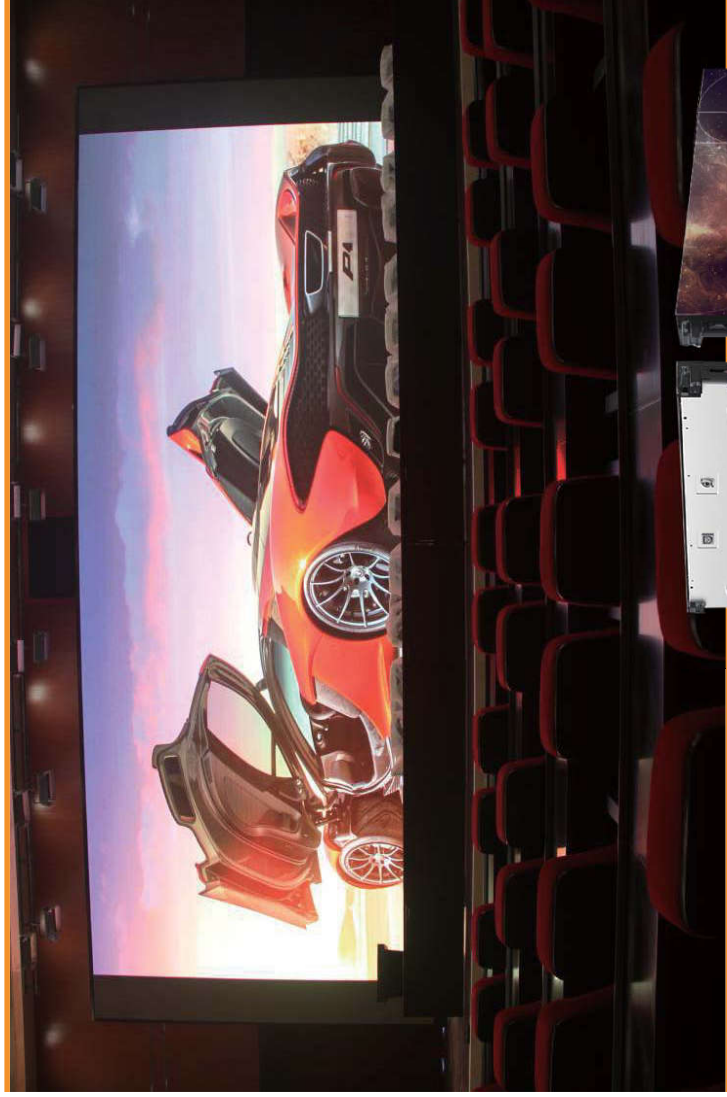
T1.6 supports 12-16 bits image output within any brightness range, delivering details perfectly.



### Light and thin, excellent heat dissipation performance

This hydronalium-built cabinet is accessible from front and featuring fanless and noiseless, the auto cooling system assures its durability and reliability during long time service.





# H0 series Small P1.6

Specification	
Pixel Pitch	1.6mm
Pixel Configuration	SMD3&1
Module Resolution	120x270
Module Dimension	192x432
Cabinet Resolution( dots )	480x270
Cabinet Dimension( mm )	768x432
Cabinet Weight( Kg )	9
Cabinet Material	Die-casting Magnesium
Flatness( mm )	≤0.1mm
Protection Level	IP45
Maintenance Method	Front Maintenance
Brightness( cd/m <sup>2</sup> )	200~800
Color temperature( K)	6500K
Viewing Angle( ° )	H140°-V140°
Max.Power Consumption( w/m <sup>2</sup> )	750
Ave.Power Consumption( w/m <sup>2</sup> )	180
Power Supply	AC 100~240V
Driving Method	1/30 dynamic scanning
Refresh Rate	>1920Hz
Operation Temperature( °C )	-20( °C ) ~+50( °C )
Storage Temperature( °C )	-20( °C ) ~+60( °C )
Operation Humidity	5%~95%RH